



LUMI-LINK™

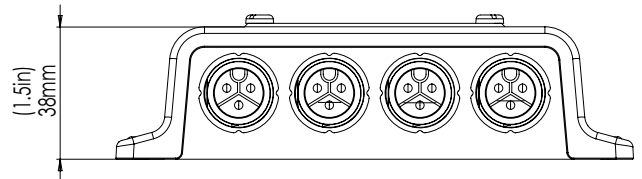
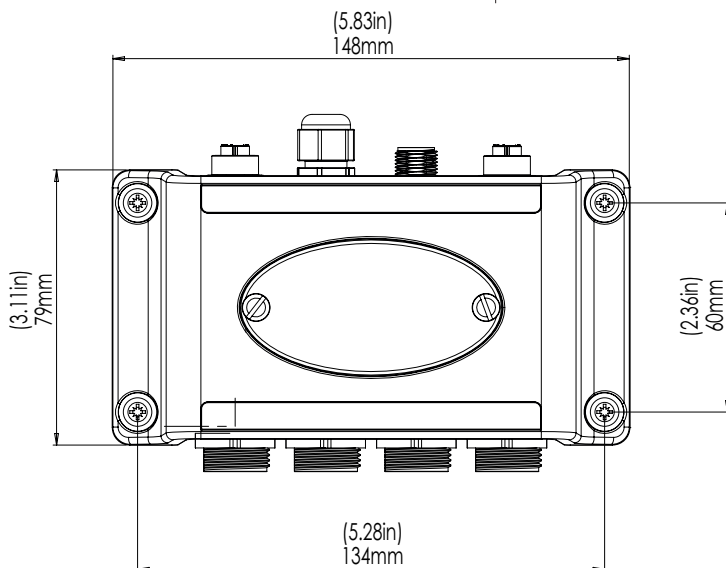
EOS Series

i-Connect Hub

JUNCTION BOX FOR EOS SERIES LIGHTS



PART DESCRIPTION	EOS I-CONNECT HUB
Part Number	60-0321
For Use With	SMX 153 EOS, TIX 403 EOS
Max Number of Lights Per Hub	4
Max Number of Hubs Per Installation	4
Ingress Protection Rating	IP68
Features	Full EOS Min-i Color Change Lumi-Link Compatible* Specially Designed for Ease of Installation Plug-and-Play Connections Built in Switching Power Relay Replaceable Blade Fuse For Each Light Status Indication LED for Each Light Built-In Noise Filter
Warranty	2 Years
User Control Options	SMX 153 - EOS Min-i TIX 403 EOS - STV 2203-i Lumi-Link (Control direct from certified MFD or iOS device)* * When used with controller and Lumi-Link MFD Bridge, or Lumi-link Black Box



NOTE: CABLES NOT SHOWN

EOS Series

i-Connect Hub

JUNCTION BOX FOR EOS SERIES LIGHTS



TECHNICAL	
Number of Lights per Hub	4
Max Number of Hubs per Installation (Surface Mount)	4 hubs (16 Lights)
Max Number of Hubs per Installation (Thur Hull)	4 hubs (16 Lights) (Note: for larger systems please contact Lumishore for options)
Connections	Plug and Play Connections
Fuses	Replaceable Blade Fuses. Each Light Individually Fused
Status Indication LEDs	Yes – for Each Light
Voltage Range	10 .5 – 31V DC
Max Input Current	20 A
Max Output Current (i.e. Max Current Per Light)	5 A
Cable Entry / Exit	IP68 Connections
Switching Method	Built-in Relay
Noise Suppression	Built-in Noise Filter
Reverse Polarity Protection	Yes
Lumi-Link Compatible	Yes

PHYSICAL	
Ingress Protection	IP 68
Size - Not Including Cable Glands (LxWxH)	148 mm x 79 mm x 38 mm (5.83" x 3.11" x 1.50")
Box Construction	Robust Weatherproof ABS

EOS I-CONNECT HUB ACCESSORIES	PART NUMBER
EOS Min-i Controller	60-0320
EOS Lumi-Link Bridge Module for Garmin OneHelm™	60-0322
EOS Lumi-Link Black Box for Garmin OneHelm™	60-0335

LUMI-LINK™

PLUG-&-PLAY MFD INTEGRATION

The world's first marine lighting API (Application Programming Interface) allowing plug-&-play integration of Lumishore SUPRA & EOS underwater lighting systems with a single cable to your certified Multi-Function Display (MFD) creating a centralized control platform for the entire vessel reducing helm clutter and simplifying vessel operation. Now available for Garmin OneHelm™ MFDs.